

## LINED TRENCHES FOR POROUS SOILS

FOR INSTALLATIONS WHERE THE EXISTING SOIL HAS A SOIL ANALYSIS GREATER THAN OR EQUAL TO 85% SAND THE TRENCH MAY BE OVER EXCAVATED AND A 300 mm (12 INCH) LAYER OF LOAMY SOIL IS INSTALLED ACROSS THE BOTTOM, AND UP THE SIDES OF THE TRENCH.

THIS LAYER OF SOIL IS INTENDED TO SLOW THE MOVEMENT OF THE EFFLUENT AND PREVENT SATURATED FLOW OF EFFLUENT THROUGH THE MORE POROUS SURROUNDING SOILS.

LEAVE THE SOIL MOUNDED OVER THE TRENCH TO ALLOW FOR SETTLEMENT.

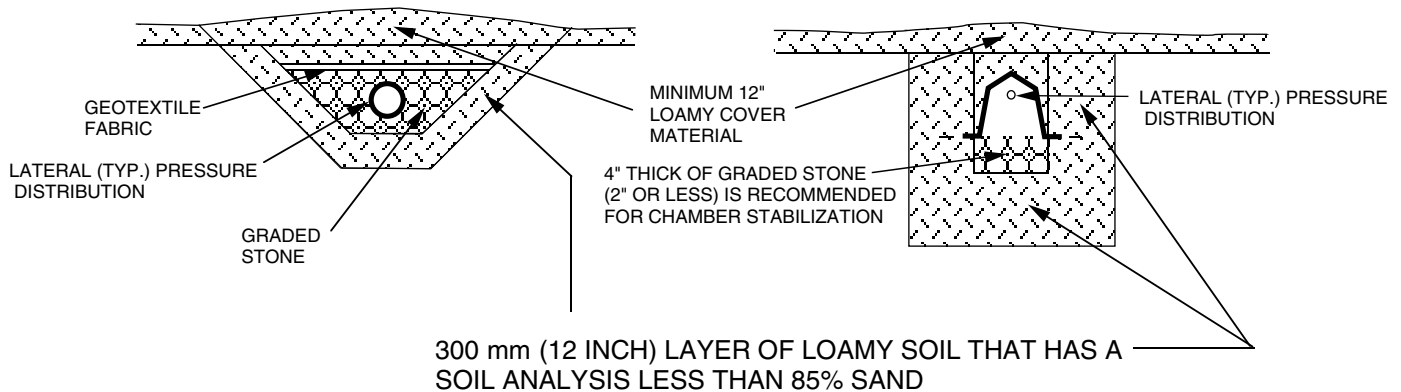
PRESSURE DISTRIBUTION LATERALS SHALL BE USED TO ENSURE EVEN DISTRIBUTION OF THE EFFLUENT AND REDUCE THE POSSIBILITY THAT EFFLUENT WILL QUICKLY ESCAPE THROUGH CRACKS IN THE IMPORTED SOILS.

### GRAVEL FILLED TRENCH

NORMAL WEeping LATERAL TRENCH WITH GRAVEL, PERFORATED PIPING AND GEOTEXTILE FABRIC COVERING THE GRAVEL

### TRENCH USING CHAMBERS

NORMAL WEeping LATERAL TRENCH WITH CHAMBER INSTALLED IN ACCORDANCE WITH THE MANUFACTURER'S INSTRUCTIONS



NOTE: INTENDED FOR 85%-100% SAND

\*FOR ILLUSTRATIVE PURPOSE ONLY, NOT TO SCALE