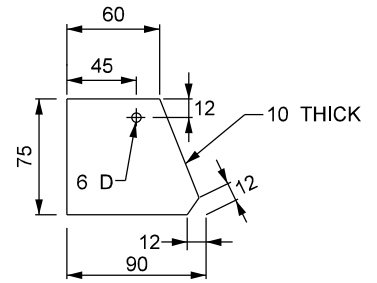
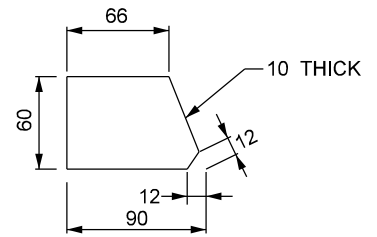


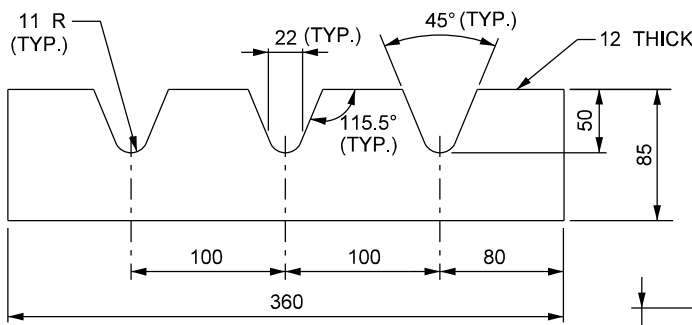
**PLAN VIEW 1:5**



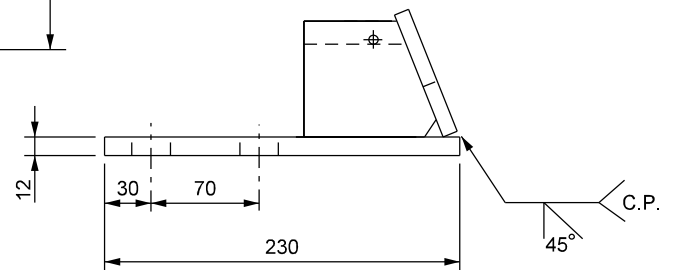
**EXTERNAL STIFFENER 1:5**



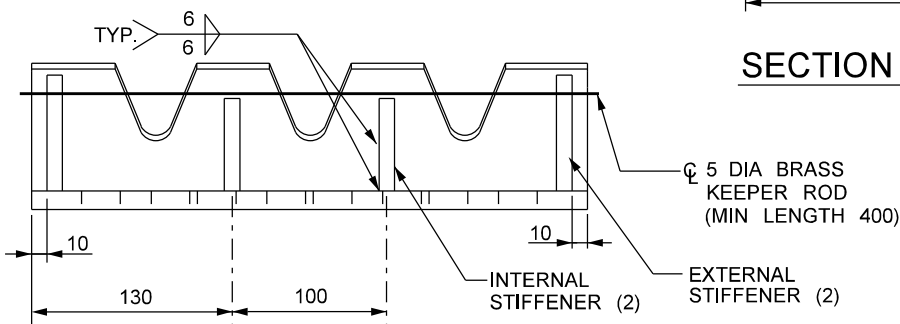
**INTERNAL STIFFENER 1:5**



**TRUE PLAN 1:5**



**SECTION VIEW 1:5**



**FRONT VIEW 1:5**

**NOTES:**

1. SEAL ALL WELDS PRIOR TO GALVANIZING.
2. ALL SCALES ARE APPROXIMATE.
3. ALL DIMENSIONS ARE IN MILLIMETRES.
4. THE ORIGINAL SEALED & SIGNED DRAWING IS IN TRAFFIC ENGINEERING.

REVISIONS		
DATE	DESCRIPTION	BY
10/10	REVISIONS	DC
14/05	INTERNAL STIFFENER, TRUE PLAN VIEW	HL

**Manitoba** Infrastructure and Transportation  
TRAFFIC ENGINEERING



CABLE GUARDRAIL  
INTERMEDIATE  
ANCHOR BRACKET

SHEET NO:	1 OF 1
DATE:	2006 - 11
DRAWN:	A.G.

**TFFPA05**