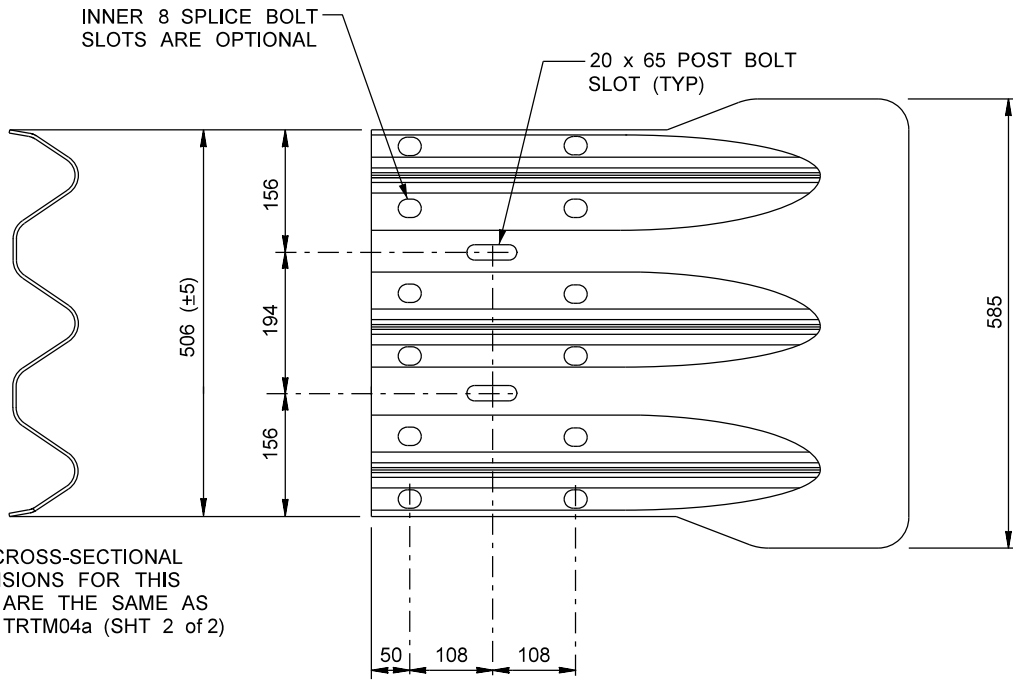


PLAN VIEW 1:10



THE CROSS-SECTIONAL DIMENSIONS FOR THIS PART ARE THE SAME AS PART TRTM04a (SHT 2 of 2)


SIDE VIEW 1:10

FRONT VIEW 1:10

NOTES:

1. ALL SCALES ARE APPROXIMATE.
2. ALL DIMENSIONS ARE IN MILLIMETERS.
3. THE ORIGINAL SEALED & SIGNED DRAWING IS IN TRAFFIC ENGINEERING.
4. THE BASE METAL THICKNESS IS 2.67

REVISIONS		
DATE	DESCRIPTION	BY
10-10	REVISIONS	DC

**Manitoba**   
**Infrastructure and Transportation**  
 TRAFFIC ENGINEERING



THRIE BEAM  
 END SECTION  
 (FLARED)

SHEET NO:	1 OF 1
DATE:	2006 - 11
DRAWN:	A.G.

TRTE05a