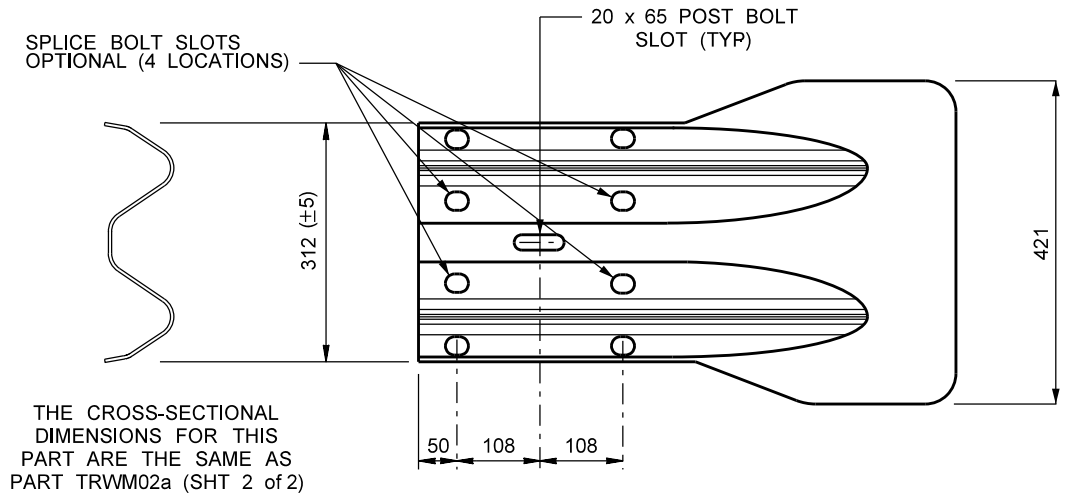


PLAN VIEW 1:10



SIDE VIEW 1:10

FRONT VIEW 1:10

NOTES:

1. ALL SCALES ARE APPROXIMATE.
2. ALL DIMENSIONS ARE IN MILLIMETERS.
3. THE BASE METAL THICKNESS IS 2.67
4. THE ORIGINAL SEALED & SIGNED DRAWING IS IN TRAFFIC ENGINEERING.

REVISIONS		
DATE	DESCRIPTION	BY
10-10	REVISIONS	DC

Manitoba 
Infrastructure and Transportation
 TRAFFIC ENGINEERING



W BEAM END SECTION
(FLARED)

SHEET NO:	1 OF 1
DATE:	2006 - 11
DRAWN:	A.G.

TRWE01a