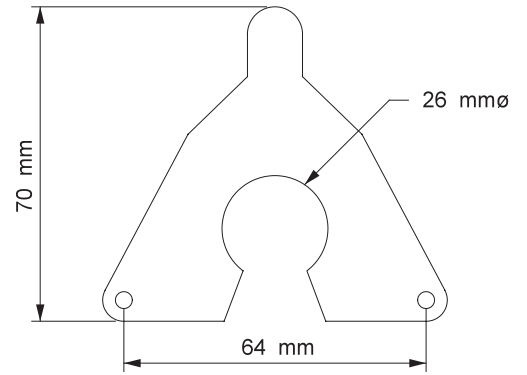
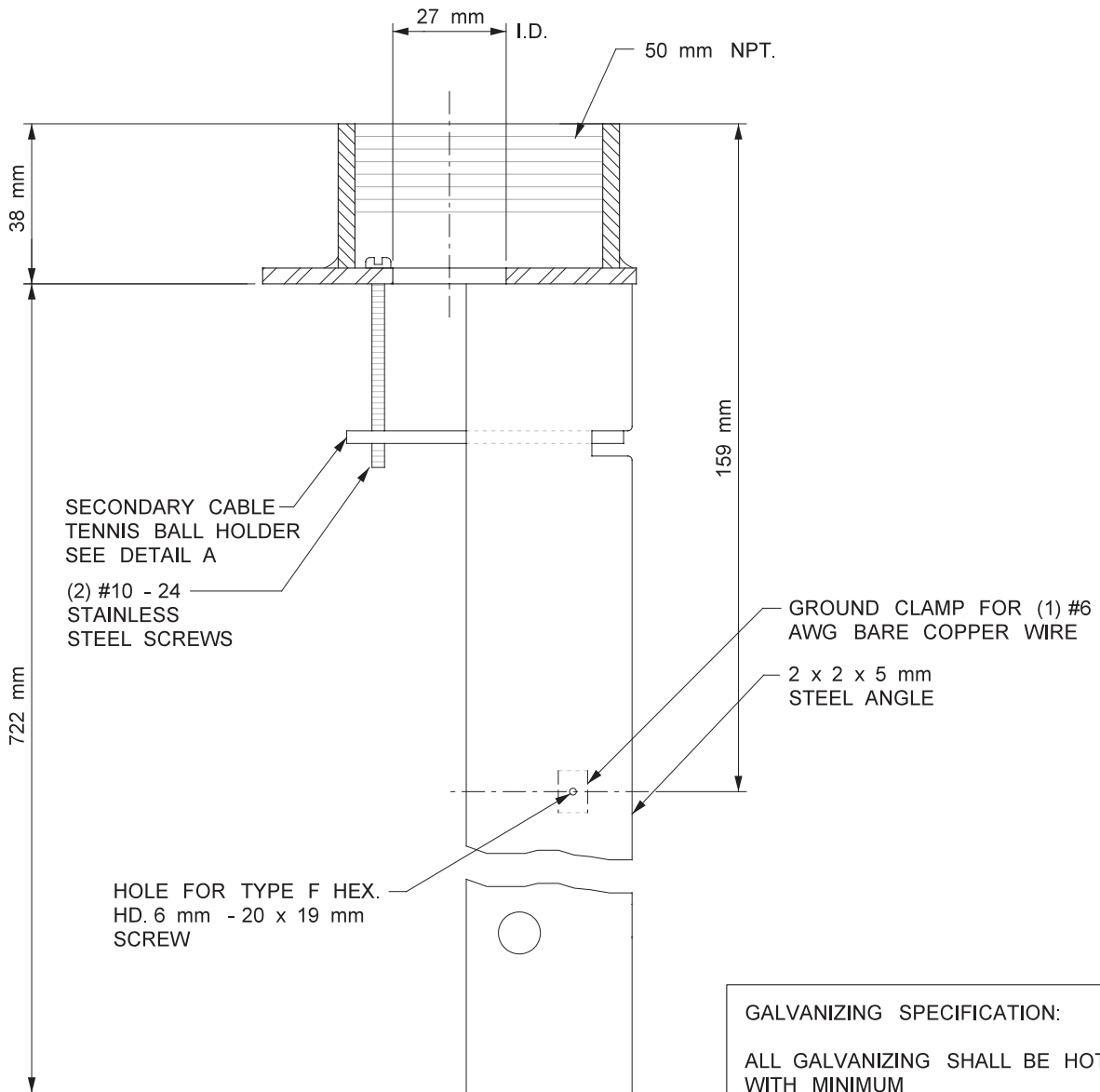


PLAN VIEW



DETAIL A - SECONDARY CABLE
TENNIS BALL HOLDER



GALVANIZING SPECIFICATION:

ALL GALVANIZING SHALL BE HOT DIPPED WITH MINIMUM ZINC COATING OF 600g/sq.m. CSA G164-M92 SPECIFICATION.

REVISIONS	BY	DATE	DESCRIPTION

**Manitoba
Transportation and
Government Services**
NORTHERN AIRPORTS



**50 mm MOUNTING
STAKE ASSEMBLY**

APPROVED BY: _____

SCALE:	N.T.S.
DATE:	12/02
PREP. BY:	K.D.S.

NAP-002