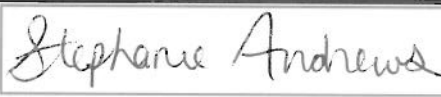


Notice of Alteration Form



Client File No.: 491.10	Environment Act Licence No.: 1085RR
Legal name of the Licencee: Rothsay, A Division of Darling International Canada Inc.	
Name of the development: Rothsay	
Category and Type of development per Classes of Development Regulation: Agriculture Rendering plants	
Licencee Contact Person: Mailing address of the Licencee: 607 Dawson Rd N City: Winnipeg Province: MB Postal Code: R2J 0T2 Phone Number: (204) 800-5628 Fax: (204) 235-1264 Email: Stephanie.Andrews@rothsay.ca	
Name of proponent contact person for purposes of the environmental assessment (e.g. consultant): Stephanie Andrews	
Phone: (204) 800-5628 Fax: (204) 235-1264	Mailing address: 607 Dawson Rd N, Winnipeg, MB, R2J 0T2
Email address: Stephanie.Andrews@rothsay.ca	
Short Description of Alteration (max 90 characters): Replacing 25k scrubber in south receiving with a 30k packed bed tower.	
Alteration fee attached: Yes: <input checked="" type="checkbox"/> No: <input type="checkbox"/>	
If No, please explain:	
Date: July 23, 2018	Signature:  Printed name: Stephanie Andrews
A complete Notice of Alteration (NOA) consists of the following components: <input checked="" type="checkbox"/> Cover letter <input checked="" type="checkbox"/> Notice of Alteration Form <input type="checkbox"/> 4 hard copies and 1 electronic copy of the NOA detailed report (see " information Bulletin - Alteration to Developments with Environment Act Licences ") <input checked="" type="checkbox"/> \$500 Application fee, if applicable (Cheque, payable to the Minister of Finance)	Submit the complete NOA to: Director Environmental Approvals Branch Manitoba Sustainable Development Box 80, Suite 160, 123 Main Street Winnipeg, Manitoba R3C 1A5 For more information: Phone: (204) 945-8321 Fax: (204) 945-5229 http://www.gov.mb.ca/sd/eal
Note: Per Section 14(3) of the Environment Act, Major Notices of Alteration must be filed through submission of an Environment Act Proposal Form (see "Information Bulletin – Environment Act Proposal Report Guidelines")	

Notice of Alteration – Rendering License 1085RR, File No 491.10
South Receiving Scrubber Replacement

To Whom It May Concern:

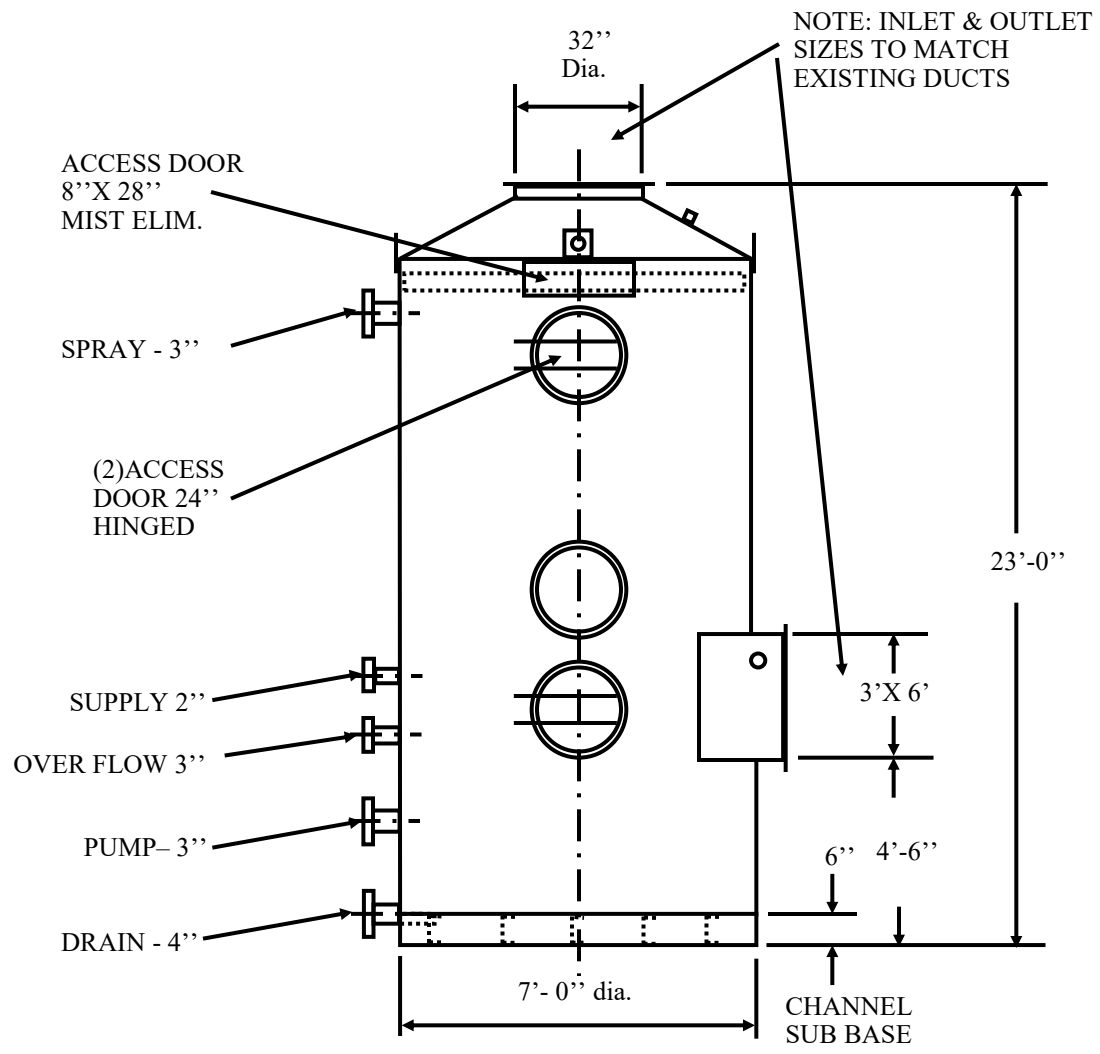
Rothsay, A Division of Darling International Canada Inc. is always looking to improve air emissions inside of and leaving the plant. The air quality system at the Rothsay site is comprised of a series of venturis and scrubbers to properly clean and treat leaving designated areas in the plant. The current scrubber in the South Receiving Area is a 25k packed bed tower. The scrubber was installed at Rothsay in 1999 but at that time it was a 30-year-old machine. It has undergone numerous repairs to extend its useful life but requires replacement due to structural issues. If the scrubber were to fail this would mean no treatment of the odours from this area.

Rothsay proposes to replace the 25k packed bed scrubber with a brand new 30k packed bed scrubber, with similar design characteristics with the 25k being replaced. The scrubber would discharge to the stack as does the current 25k. A 30k scrubber has been chosen as it will fit in the existing footprint in the South Receiving Area and will increase the number of air changes. As a recommendation by consultants we have a 30k fan on site as a replacement unit. By standardizing scrubbers in the facility, we will be able to have the replacement fan on site to fit multiple scrubbers and to ensure no extended periods of time without treatment. The current 25k scrubber is operating with a 30k fan but due to restrictions of the belts and pulleys it can only operate at 25k capacity. The proposed scrubber will be able to run the fan at full capacity to provide the suggested 1.06 seconds of residence time through 12 ft of 3.5” packing.

Please accept this as a formal Notice of Alteration to install a new 30k packed bed scrubber in the South Receiving area of the plant.

Sincerely,


Stephanie Andrews
Ron Vincent
Rothsay, Winnipeg

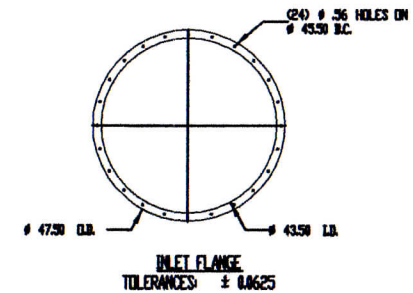
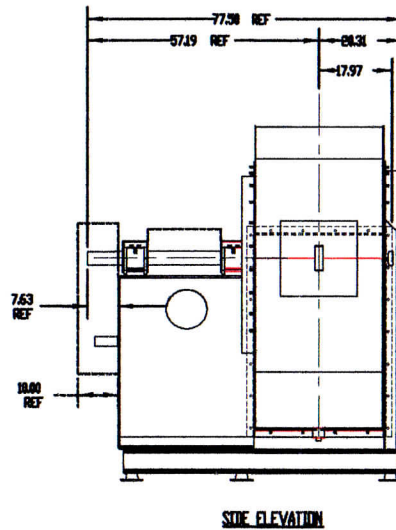
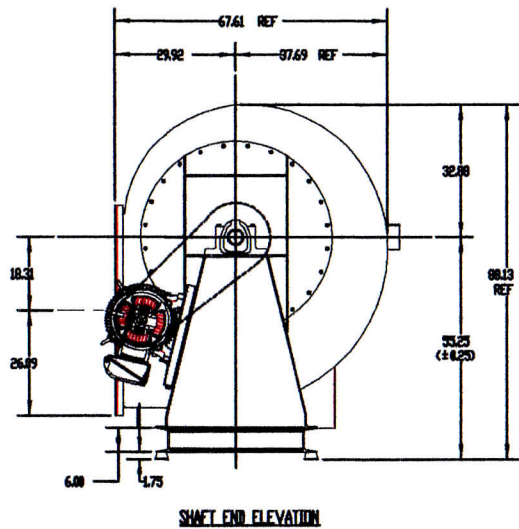
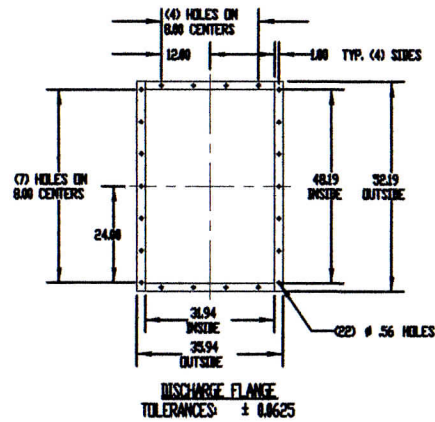
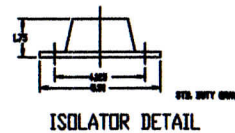
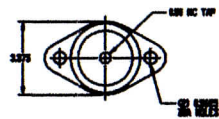
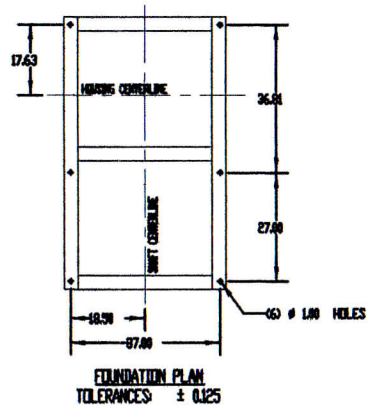


DRY WT. ——— 3,200#

OPERATING WT.— 12,000#

30,000 CFM TOWER SCRUBBER

1543-1	 Blaine, Mn.
G.BUSS	
6-5-18	



ITEM	QTY	PART	DESCRIPTION
1	1	HOUSING	CW-BH - 0.0875 304SS
2	1	DISCHARGE FLANGE	0.25 X 2.00 X 2.00 304SS ANGLE
3	1	INLET FLANGE	RES 304SS
4	1	ACCESS DOOR	15.00 X 15.00 OPENING, BULTED
5	1	BRUSH	2.00 NPT WITH PLUG
6	1	SHAFT SEAL	STANDARD SEAL WITH TEFLON PLATE
7	1	SHAFT GUARD	-
8	1	BELT GUARD	-
9	1	SHAFT	# 3.6375 304SS TEMP
10	1	WHEEL	# 4825 BACKWARD INCLINE 5/8 TYP. LEAD INCL. TEFC, 125 SF, SERV/40/275V
11	1	MOTOR	3/4 HP EFF. 3/4AT FRAME SUPPLIED BY PHELPS MOUNTED BY PHELPS
12	1	MOTOR SHEAVE	5V3275 X 2375 MOTOR SHEAVE
14	1	FAN SHEAVE	5V140 X 3.6375 FAN SHEAVE
15	3	BELTS	5V2000 3/27 CENTERS
16	1	FORWARD BEARING	RODGE USAF-MH 3.6375 (FLDNT)
17	1	REARWARD BEARING	RODGE USAF-MH 3.6375 (FLDNT)
19	1	SUB-BASE	W/2.00 X 1.00 CHANNEL

NOTES:
 1.) BEARINGS TO BE GREASE LUBRICATED WITH MOBILITH SHC-100
 2.) STAINLESS STEEL AIRSTREAM CONSTRUCTION
 3.) (6) STANDARD DUTY GRAY RES ISOLATORS

MAX SPEED: 1,620 RPM
 MAX TEMP: 150 ° F
 STATIC LOAD: 4,000 LBS.

PERFORMANCE AT 1,217 RPM FOR 30,000 ACFM
 AT 9.50" SP4VG, 0.075 H/CU. FT., 70 ° F, SEA LEVEL: 550 BHP

CERTIFIED DRAWING

CERTIFIED BY JKT DATE 5/24/2016

**Phelps
Fan**

PHELPS FAN, LLC.

ROBERTSON TECHNOLOGIES LLC.
 4433 VICTORIA STREET
 SHOREVIEW, MN 55126

P.D. # 607
 F.D. # 41204
 S.M. PDH 222959 & PDH 222970

PROPRIETARY AND CONFIDENTIAL

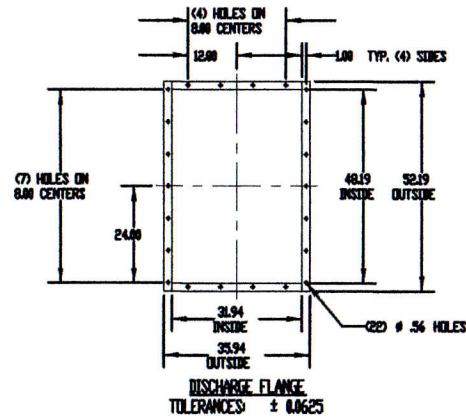
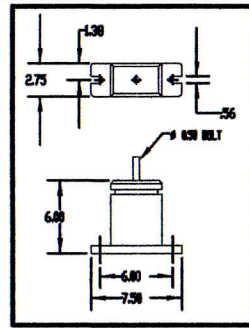
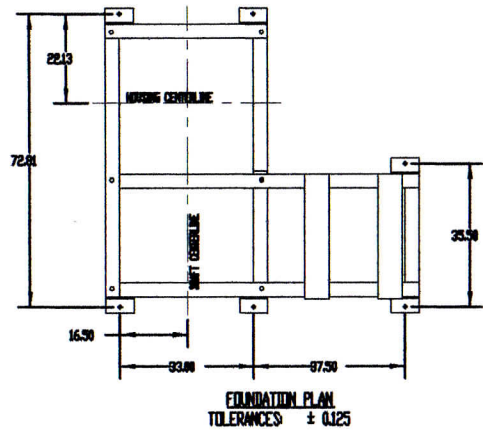
IN CONNECTION WITH THIS DRAWING IS THE SOLE PROPERTY OF PHELPS FAN, LLC. ANY REPRODUCTION IN PART OR AS A WHOLE WITHOUT THE WRITTEN PERMISSION OF PHELPS FAN, LLC IS PROHIBITED.

DIMENSIONS ARE IN INCHES UNLESS OTHERWISE SPECIFIED
 DIMENSIONS ARE IN INCHES UNLESS OTHERWISE SPECIFIED
 DIMENSIONS ARE IN INCHES UNLESS OTHERWISE SPECIFIED
 DIMENSIONS ARE IN INCHES UNLESS OTHERWISE SPECIFIED
 DIMENSIONS ARE IN INCHES UNLESS OTHERWISE SPECIFIED

**Phelps
Fan**

TITLE: CRW-402, CW-BH,
 ARRANGEMENT 9

WEIGHT: _____ REV. _____ SCALE: 1:24
 DRAWN BY: JKT DATE: 5/24/16 DWG. NO.: 41204CRW

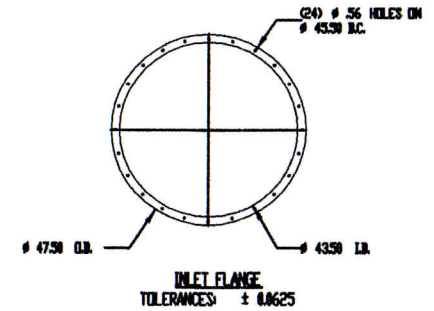
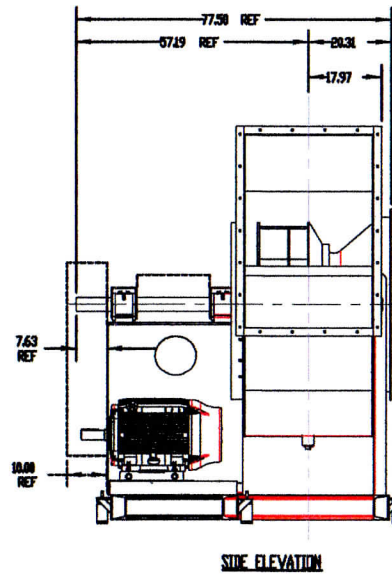
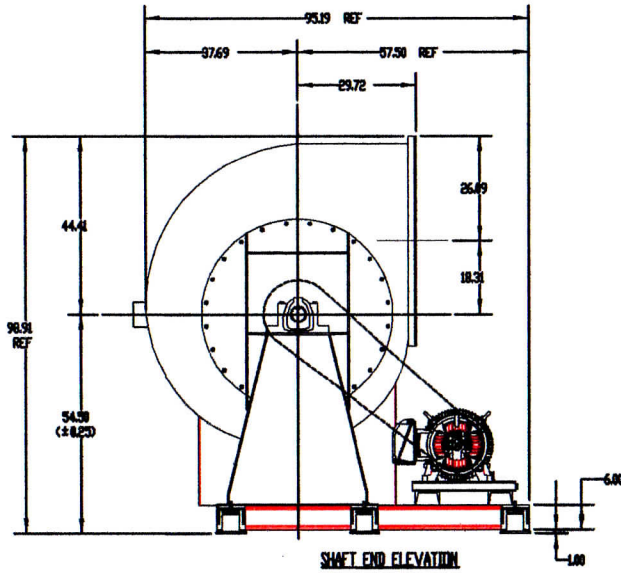


ITEM	QTY	PART	DESCRIPTION
1	1	HOUSING	CW-TH - 0.875 304SS
2	1	DISCHARGE FLANGE	0.25 X 2.00 X 2.00 304SS ANGLE
3	1	INLET FLANGE	0.25 304SS
4	1	ACCESS DOOR	2.00 X 2.00 OPENING, BOLTED
5	1	BRUSH	2.00 HPT WITH FLUG
6	1	SHAFT SEAL	STANDARD SEAL WITH TEFLON PLATE
7	1	SHAFT GUARD	-
8	1	BELT GUARD	-
9	1	SHAFT	# 3.4375 304SS TROP
10	1	WHEEL	# 0.625 BACKWARD INCLINE 60 HPT, 1.000 HPT, TEFC, 125 SF, 3.00/0.625/0.575 AREA EFF. SEAT FRAME SUPPLIED BY OTHERS MOUNTED BY OTHERS
11	1	MOTOR	5.0 X 7.5 X 2.375 MOTOR SHEAVE SUPPLIED BY OTHERS MOUNTED BY OTHERS
12	1	MOTOR SHEAVE	5.0 X 7.5 X 2.375 MOTOR SHEAVE SUPPLIED BY OTHERS MOUNTED BY OTHERS
14	1	FAN SHEAVE	5.0 X 7.5 X 2.375 FAN SHEAVE SUPPLIED BY OTHERS MOUNTED BY OTHERS
15	3	BELTS	5.0 X 7.5 X 0.3 CENTERS SUPPLIED BY OTHERS MOUNTED BY OTHERS
16	1	IMMEDIATE BEARING	IMMEDIATE BEARING 3.4375 (FLYING)
17	1	OUTBOARD BEARING	IMMEDIATE BEARING 3.4375 (FLYING)
19	1	SUB-BASE	IMMEDIATE BEARING CHANNEL

NOTES:
 1.) BEARINGS TO BE GREASE LUBRICATED WITH MOBILITHS SHC-100.
 2.) STAINLESS STEEL AIRSTREAM CONSTRUCTION.
 3.) (6) OCT-1 ORANGE SPRING ISOLATORS

MAX SPEED: 1,620 RPM
 MAX TEMP: 150 ° F
 STATIC LOAD: 4,500 LBS.

PERFORMANCE AT 1,217 RPM FOR 30,000 ACFM
 AT 8.50" SPWG, 0.075 W/CU FT., 70 ° F, SEA LEVEL: 55.0 BHP



CERTIFIED DRAWING
 CERTIFIED BY JKT DATE 5/24/2016

 PHELPS FAN, LLC

ROBERTSON TECHNOLOGIES LLC
 4433 VICTORIA STREET
 SHOREVIEW, MN 55126

P.D. # 607
 F.D. # 41205
 S.M. PD# 222959 & PD# 222970

PROPRIETARY AND CONFIDENTIAL
 THE INFORMATION CONTAINED IN THIS DRAWING IS THE SOLE PROPERTY OF PHELPS FAN, LLC. ANY REPRODUCTION IN PART OR AS A WHOLE WITHOUT THE WRITTEN PERMISSION OF PHELPS FAN, LLC IS PROHIBITED.

THIS DRAWING IS IN INCH UNITS
 SINGLE PARTS ± 0.03125
 SUB-ASSEMBLY ± 0.0625
 FINISH ± 0.005
 HOLE ± 0.005
 TOLERANCES TO BE NON-ACCUMULATING



TITLE: CRW-402, CW-TH, ARRANGEMENT 1

WEIGHT:	REV.	SCALE: 1:24
DRAWN BY: JKT	DATE: 5/24/16	DWG. NO: 41205CRV