



September 16, 2016

Tracey Braun, M. Sc.
Manitoba Sustainable Development
Environmental Approvals
160 – 123 Main Street (Box 80)
Winnipeg MB R3C 1A5

**Subject: Notice of Alteration – Town of Niverville – Wastewater
Treatment Lagoon – Client File: 5124 – EAL 2712**

Dear Ms. Braun,

On behalf of our client, we would like to apply for an alternation to Environment Act Licence No. 2712, issued January 23, 2006 for the Town of Niverville wastewater treatment lagoon.

The proposal involves the installation of a manhole and pipe on the existing intercell pipe between the primary cell and secondary cell No. 3. The installation will be upstream of the existing valve which will remain. Please see the attached drawing.

The Town of Niverville would also like to place and compact granular material on the south dyke of the primary cell to provide a road for accessing their cells to manage the phosphorus.

From our earlier correspondence with Sustainable Development, we anticipate that there will be no fee for this submission since this proposal should not affect any of the clauses of the Licence nor will it alter the environmental effects.

No changes are proposed for the existing clay core within the existing dykes.

This cover letter is accompanied by the Notice of Alteration form which is enclosed.

WSP Canada Inc.
1600 Buffalo Place
Winnipeg, MB R3T 6B8

Phone: 204-477-6650
Fax: 204-474-2864
www.wspgroup.ca



If you have any questions regarding this notice of alteration, please contact the undersigned. We look forward to your response on this matter and respectfully request a response by October 5, 2016.

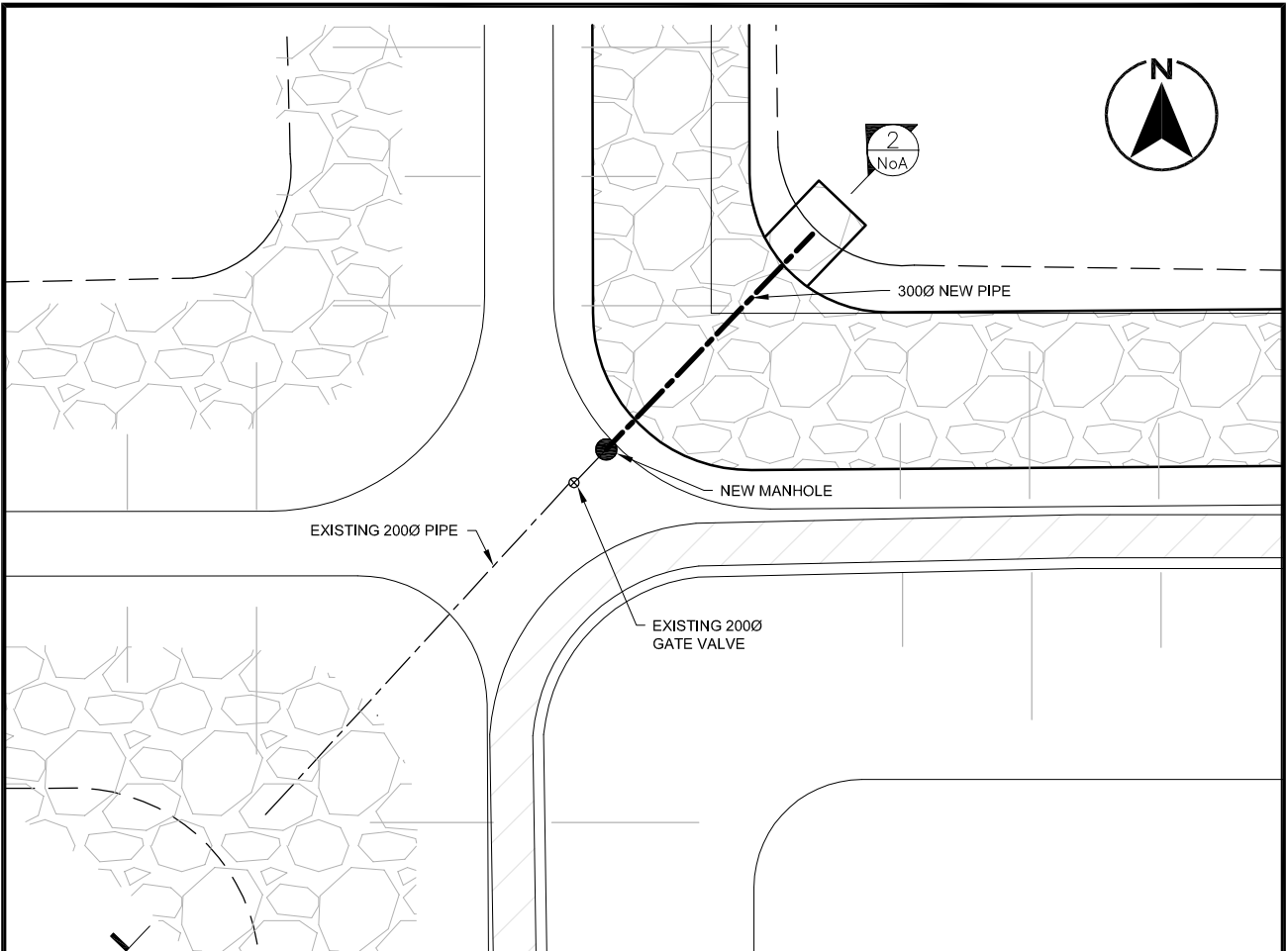
Kind regards,

A handwritten signature in blue ink, appearing to read 'Jason Bunn', written in a cursive style.

Jason Bunn, P.Eng.,
Environmental Engineer

Encl.

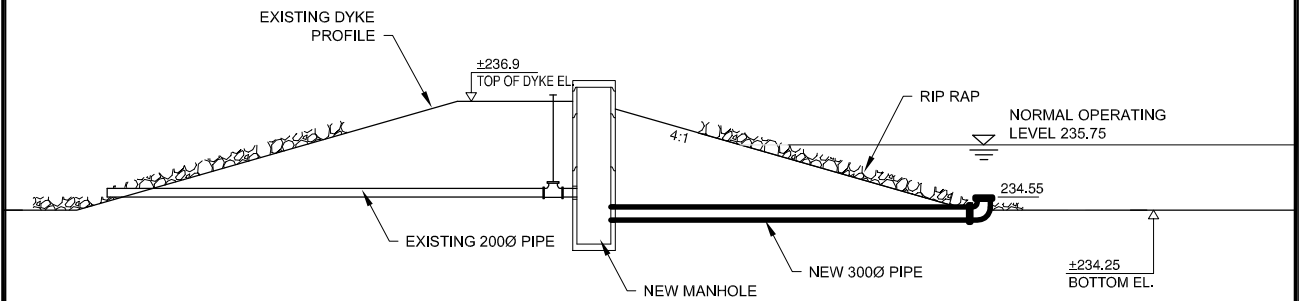
cc: Mr. Ryan Dyck – Town of Niverville
Mr. Robert Boswick, P.Eng. – Manitoba Sustainable Development



1
NoA NoA

PROPOSED MANHOLE AND PIPE - PLAN VIEW

N.T.S.



2
NoA NoA

PROPOSED MANHOLE AND PIPE - SECTION VIEW

N.T.S.

WSP
1600 BUFFALO PLACE
WINNIPEG, MANITOBA
CANADA R3T 6B6
PHONE: 204-477-6650 FAX: 204-474-2864
WWW.WSPGROUP.COM

TITLE:

MANHOLE AND
PIPE INSTALLATION

SCALE:

NTS

DATE:

2016/09/16

PROJECT NO:

121-17556-02

REVISION:

0

DRAWING NO:

NoA

XREF

STAMP

