

Figure 6.1a: Schematic of the centrate treatment facility (without OlyWest)

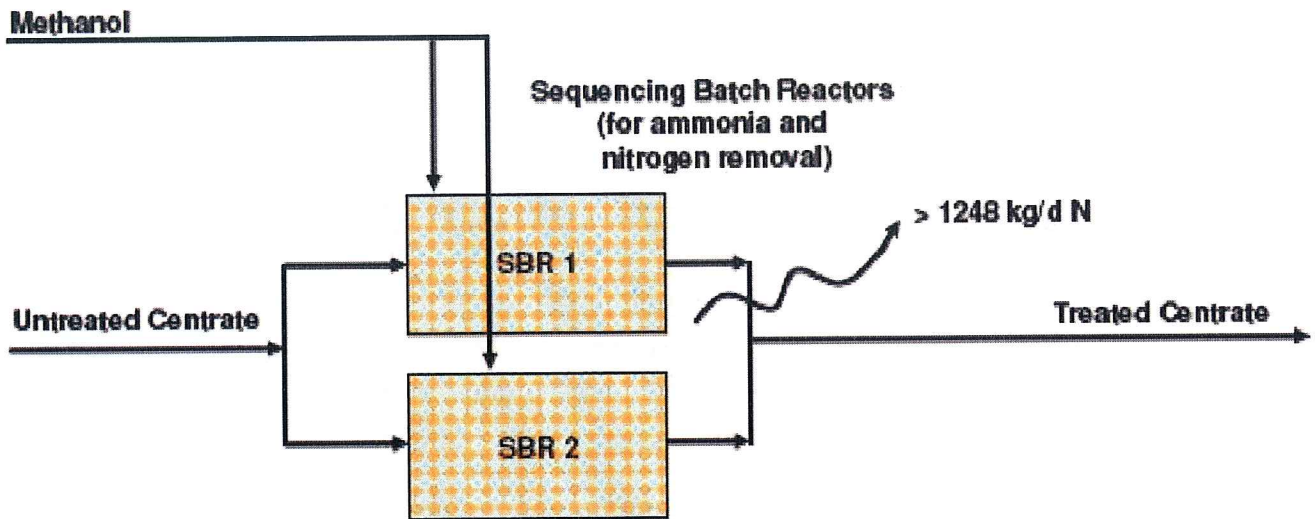


Figure 6.1b: Proposed centrate treatment facility (including OlyWest)

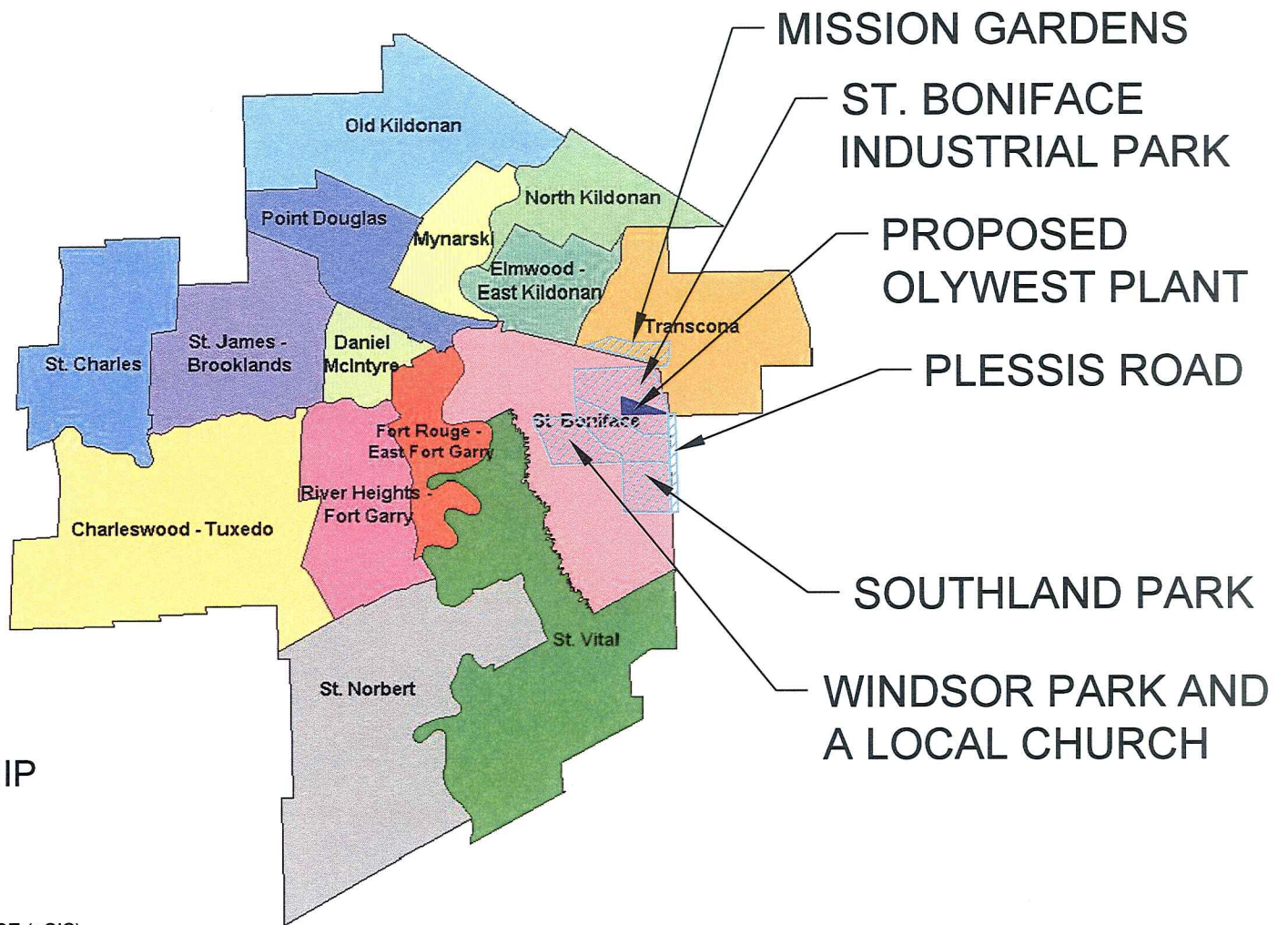
Source: Earth Tech (Canada) Inc.



Earth Tech (Canada) Inc. Winnipeg, Manitoba 204.477.6381

OLYWEST PROJECT – CITY OF WINNIPEG  
NUTRIENT MANAGEMENT SCHEMATIC

designed	scale	yy-mm-dd
	N. T. S.	06-08-04
drawn	project no.	
LB	91511	
checked	drawing no.	rev.
SJB	FIGURE 6.1	
approved		



 CAC MEMBERSHIP

SOURCE: CITY OF WINNIPEG,  
ELECTRON CITIZEN INFORMATION SERVICE (eCIS),  
CURRENT WINNIPEG WARD MAP

\*WINNIPEG CHAMBER OF COMMERCE MEMBER OF CAC



Earth Tech (Canada) Inc. Winnipeg, Manitoba 204.477.5381  
COMMUNITY ADVISORY COMMITTEE  
MEMBERSHIP MAP  
WINNIPEG, MANITOBA

designed	scale	yy-mm-dd
LB	N. T. S.	06-08-04
checked	project no.	
SJB	91511	
approved	drawing no.	rev.
	FIGURE 12.1	