

DATE: December 9, 2025

TO: Public Registry

FROM: Desalegn Edossa
Senior Environmental Engineer
Land Use, Waste Management, and
Energy Section

SUBJECT: File 6248.00 – Rural Municipality of Stanley – Regional Wastewater Collection System - Information for Public Registry

Please find attached requests for additional information and responses received related to Rural Municipality of Stanley – Regional Wastewater Collection System (file 6248.00) for distribution to the public registries. The documents included are:

1.	2025-03-07 Request for Additional Information
2.	2025-03-10 Response Received
3.	2025-10-29 Request for Additional Information
4.	2025-11-25 Response Received

REQUEST FOR ADDITIONAL INFORMATION

From: Wood, Bryce <Bryce.Wood@gov.mb.ca>

Sent: March 7, 2025 2:50 PM

To: Gifford, Marlene <Marlene.Gifford@aecom.com>

Subject: RE: RM of Stanley Regional Wastewater Conveyance System EAP - Email 1 of 6

Hello Marlene,

Could you please review the text below, which has been prepared for the advertisement? Specifically, can you confirm the locations listed for the lift stations, and add the legal land descriptions of the ROWs that the forcemain will be installed on? I could not tell from figure 1-1 which side of the road the forcemain will be installed on, which determines which quarter section is listed in the advertisement. Thank you.

The Rural Municipality of Stanley proposes to install a new low pressure sewer collection system to service the communities of Schanzenfeld and Reinfeld. The project includes the installation of two lift stations and 11 kilometres of high density polyethylene forcemain piping to convey the wastewater to the City of Winkler wastewater treatment lagoon. The lift stations will be located at SW 27-2-4 WPM and SE 2-3-4 WPM, and the forcemain piping will be located within the following road right-of-ways: XXXX; XXXXX; XXXX; XXXX.

Bryce Wood, P.Ag.

Environment Officer – Land Use and Forestry Specialist
Land Use, Waste Management, and Energy Section
Environmental Approvals Branch
Manitoba Environment and Climate Change
Box 35, 14 Fultz Blvd, Winnipeg, MB R3Y 0L6

Bryce.Wood@gov.mb.ca / Cel: 204-781-7226

RESPONSE RECEIVED

From: Gifford, Marlene <Marlene.Gifford@aecom.com>
Sent: March 10, 2025 10:35 AM
To: Wood, Bryce <Bryce.Wood@gov.mb.ca>
Cc: Barsalou, Paul <Paul.Barsalou@aecom.com>; Chunderova, Liliya <liliya.chunderova@aecom.com>
Subject: RE: RM of Stanley Regional Wastewater Conveyance System EAP - Email 1 of 6

Good morning Bryce,

The following is clarification information regarding your inquiry below (please let me know if you need anything else):

The lift stations will be located at SW 27-2-4 WPM and SE 2-3-4 WPM, and the forcemain piping will be located within the following road right-of-ways: SW & SE ¼ of 27-2-4 WPM. SW & NW ¼ of 26-2-4 WPM, SW & NW of ¼ of 35-2-4 WPM, SE & NE ¼ of 2-3-4-WPM, SW & NW ¼ of 11-3-4-WPM, SW & NW ¼ of 14-3-4 WPM, NE ¼ of 15-3-4 WPM, SE ¼ of 22-3-4 WPM.

Regards,

Marlene

Marlene Gifford, M.Sc., P.Biol., R.P.Bio.
Biologist, Environmental Assessor
Impact Assessment and Permitting, Canada
D +1-204-928-9210
M +1-204-430-5633
marlene.gifford@aecom.com

Please note: I am currently working a Monday to Thursday work week.
Responses to email arriving on Fridays may be delayed.

AECOM
99 Commerce Drive
Winnipeg, Manitoba, Canada
T +1-204-477-5381
aecom.com

REQUEST FOR ADDITIONAL INFORMATION

From: Edossa, Desalegn

Sent: October 29, 2025 9:46 AM

To: Colin Conrad <cconrad@rmofstanley.ca>

Cc: Dey, Asit <Asit.Dey@gov.mb.ca>; Sonaimuthu, Geetha <Geetha.Sonaimuthu@gov.mb.ca>; Barsalou, Paul <Paul.Barsalou@aecom.com>; Gifford, Marlene <Marlene.Gifford@aecom.com>

Subject: RE: Project contact person update - MB WSB RM Stanley Water Conveyance Project File No. 6248.00

Good morning Colin,

Could you please provide additional information regarding the following items:

1. Please confirm that the design for this project conforms to the Ten State Standards or equivalent standards.

The Environmental Approvals Branch applies the Recommended Standards for Wastewater Facilities (commonly referred to as the Ten State Standards) in the review and assessment of Environment Act Proposals related to wastewater collection and treatment facilities. These standards are available from Health Education Services. Ontario's Design Guidelines for Sewage Works are also applied as supplementary guidance.

Additional information regarding requirements for wastewater collection systems—including construction, modification, upgrading, or extension of gravity or low-pressure sewer collection systems, forcemains, and lift stations—can be found at:

https://www.gov.mb.ca/sd/waste_management/wastewater/wastewater_collection/index.html

2. Please confirm whether double casing or encasement will be applied at pipeline crossings. If not, kindly provide a comprehensive engineering justification for the proposed alternative.

Please let me know if you have any questions.

Thank you

Desalegn Edossa, D.Eng., P.Eng.

Senior Environmental Engineer || Land Use, Waste Management & Energy

Environmental Approvals Branch

Department of Environment and Climate Change

14 Fultz Blvd, Winnipeg, MB R3Y 0L6

T: (204) 945-7021 / **Email:** Desalegn.Edossa@gov.mb.ca

ADDITIONAL INFORMATION



AECOM Canada ULC
99 Commerce Drive
Winnipeg, MB R3P 0Y7
Canada

T: 204.477.5381
F: 204.284.2040
aecom.com

November 25, 2025

Our Reference
Project No. 60735871

Desalegn Edossa
Senior Environmental Engineer
Manitoba Environment and Climate
Change
Environmental Approvals Branch
14 Fultz Boulevard
Winnipeg MB R3Y 0L6

RE: Rural Municipality (RM) of Stanley – Environment Act Proposal (EAP) Responses to Environmental Approvals Branch Additional Information Request Items – File 6248.00

Dear Mr. Edossa,

On behalf of the RM of Stanley, this letter provides additional information requested by you in an email on October 29, 2025 regarding the following (additional information requested in parentheses):

1. *Please confirm that the design for this project conforms to the Ten State Standards or equivalent standards.*

The Environmental Approvals Branch applies the Recommended Standards for Wastewater Facilities (commonly referred to as the Ten State Standards) in the review and assessment of Environment Act Proposals related to wastewater collection and treatment facilities. These standards are available from Health Education Services. Ontario's Design Guidelines for Sewage Works are also applied as supplementary guidance.

Additional information regarding requirements for wastewater collection systems—including construction, modification, upgrading, or extension of gravity or low-pressure sewer collection systems, forcemains, and lift stations—can be found at:

https://www.gov.mb.ca/sd/waste_management/wastewater/wastewater_collection/index.html

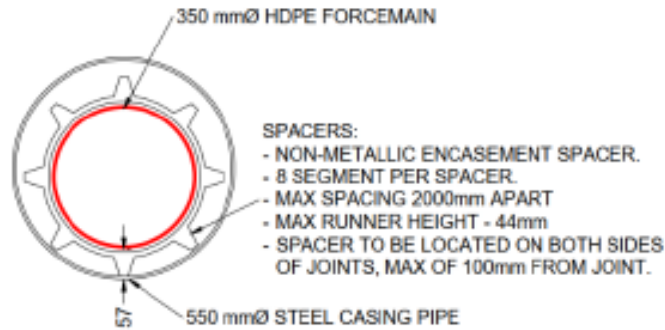
Response:

The design of this Project conforms to all applicable standards, including Ten State Standards.

2. *Please confirm whether double casing or encasement will be applied at pipeline crossings. If not, kindly provide a comprehensive engineering justification for the proposed alternative.*

Response:

Steel casing pipes will be applied at all piping crossings. The proposed casing pipes specification and grade: ASTM 453 Grade B Welded Steel; minimum yield strength: 242 MPA; type of joint: welded. Please see the following image for the proposed casing pipe cross section detail.



1 | CASING PIPE DETAIL
Scale 1:100

Yours sincerely,

Marlene Gifford, M.Sc.
Biologist, Environmental Assessor
AECOM Canada ULC
T: 204-928-9210
E: marlene.gifford@aecom.com