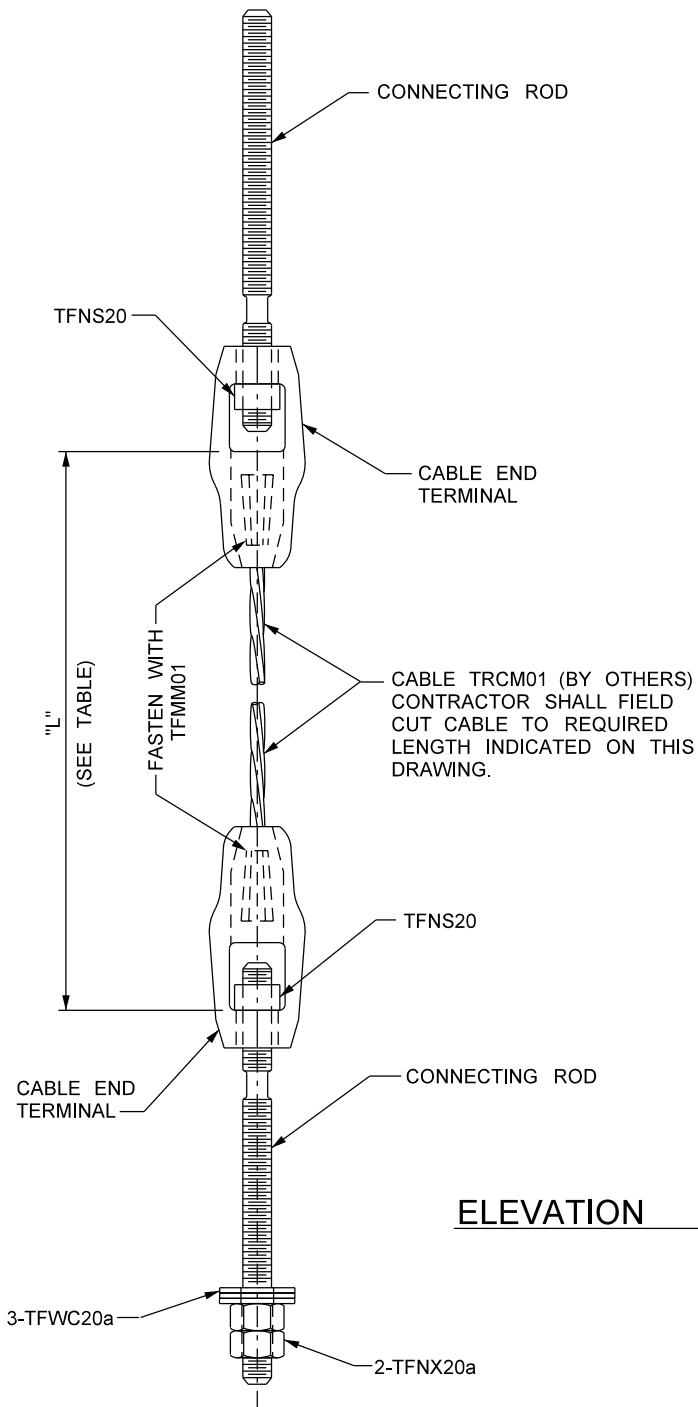


END FITTING (ITEM)	LENGTH ("L")
TRCE03a	1000
TRCE03b	1500
TRCE03c	3000
TRCE03d	3500



ELEVATION 1:5

NOTES:

1. THE LENGTH "L" IS TO BE USED DURING DESIGN AND INSTALLATION AND SHALL BE ACCOMMODATED BY THE APPROPRIATE LENGTH OF CABLE.
2. ALL SCALES ARE APPROXIMATE.
3. ALL DIMENSIONS ARE IN MILLIMETERS.
4. THE ORIGINAL SEALED & SIGNED DRAWING IS IN TRAFFIC ENGINEERING.

REVISIONS		
DATE	DESCRIPTION	BY
10-10	REVISIONS	DC

Manitoba 
Infrastructure and Transportation
 TRAFFIC ENGINEERING

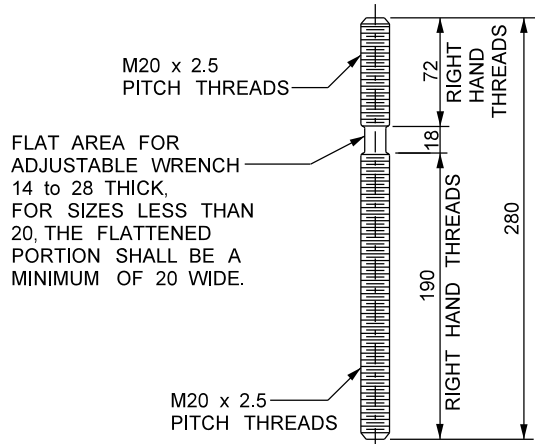
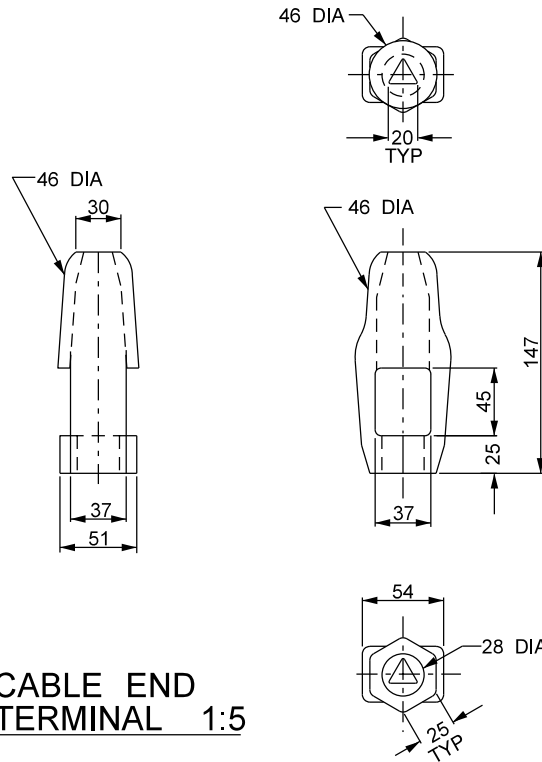


CABLE END FITTING

SHEET NO:	1 OF 2
DATE:	2006 - 11
DRAWN:	A.G.

TRCE03

**CABLE END
TERMINAL 1:5**



CONNECTING ROD 1:5

NOTES:

1. ALL SCALES ARE APPROXIMATE.
2. ALL DIMENSIONS ARE IN MILLIMETERS.
3. THE ORIGINAL SEALED & SIGNED DRAWING IS IN TRAFFIC ENGINEERING.

REVISIONS		
DATE	DESCRIPTION	BY
10-10	REVISIONS	DC

Manitoba 
**Infrastructure and
 Transportation**
 TRAFFIC ENGINEERING



CABLE END FITTING

SHEET NO:	2 OF 2
DATE:	2006 - 11
DRAWN:	A.G.

TRCE03